

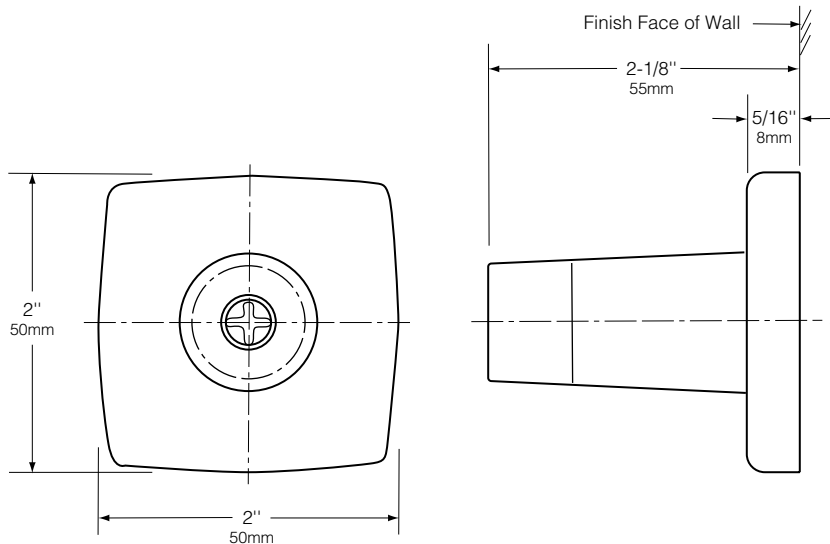


Technical Data

# SURFACE-MOUNTED DOOR BUMPER

## B-687 B-6877

Specify Model Required:  Model B-687 Bright polished stainless steel  
 Model B-6877 Satin-finish stainless steel



### MATERIALS:

**Post** — Black nylon.

**Bumper** — Black neoprene.

**Base** — 18-8 S, type-304, 22-gauge (0.8mm) stainless steel.

### INSTALLATION:

Mount unit on wall with sheet-metal screw furnished by manufacturer at point indicated by an S.

### SPECIFICATION:

Surface-mounted door bumper shall have base constructed of type-304 stainless steel with \_\_\_\_\_ (insert one: bright polished or satin) finish. Unit shall be equipped with black neoprene bumper. Manufacturer's service and parts manual shall be provided to the building owner/manager upon completion of project.

**Surface-Mounted Door Bumper shall be Model \_\_\_\_\_ (insert model number) of Bobrick Washroom Equipment, Inc., Clifton Park, New York; Jackson, Tennessee; Los Angeles, California; Bobrick Washroom Equipment of Canada Ltd., Scarborough, Ontario; Bobrick Washroom Equipment Pty. Ltd., Australia; and Bobrick Washroom Equipment Limited, United Kingdom.**