

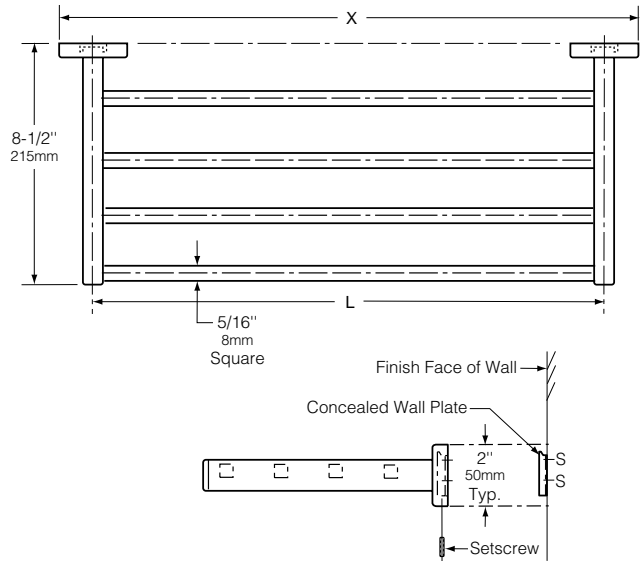


Technical Data

# SURFACE-MOUNTED TOWEL SHELF

## B-675 B-6757

Specify Model Required:  Model B-675 Bright polished stainless steel  
 Model B-6757 Satin-finish stainless steel



Model No.	Bar Length L	Overall Length X
B-675 x 24	24" (610mm)	26" (660mm)
B-6757 x 24	24" (610mm)	26" (660mm)

### MATERIALS:

**Flanges and Support Arms (2)** — 18-8 S, type-304, 22-gauge (0.8mm) stainless steel. Each flange has a concealed, 16-gauge (1.6mm) stainless steel mounting bracket. All-welded construction. Secured to wall plates with stainless steel setscrews.

**Concealed Wall Plates (2)** — 18-8 S, type-304, 16-gauge (1.6mm) stainless steel.

**Shelf** — 18-8 S, type-304, heavy-gauge stainless steel. Seamless, 5/16" (8mm) square tubing.

### INSTALLATION:

To remove concealed wall plates from back of flanges and mounting brackets, loosen setscrews. Mount each wall plate so prongs are at top; secure with #8 x 1-1/2" (4.2 x 38mm) sheet-metal screws (not furnished) at points indicated by an S. Engage mounting brackets onto prongs of wall plates, then secure into position by tightening setscrews at bottom of flanges.

**Note:** Center-to-center of concealed wall plates must be within 1/16" (1.6mm) of the bar length dimension.

For plaster or dry wall construction, provide concealed backing to comply with local building codes, then secure unit with sheet-metal screws (not furnished). For other wall surfaces, provide fiber plugs or expansion shields for use with sheet-metal screws, or provide 1/8" (3mm) toggle bolts or expansion bolts.

### SPECIFICATION:

Surface-mounted towel shelf shall be type-304 stainless steel with \_\_\_\_\_ (insert one: bright polished or satin) finish. Flanges and support arms shall be 22 gauge (0.8mm) and equipped with concealed, 16-gauge (1.6mm) mounting brackets that are secured to concealed, 16-gauge (1.6mm) wall plates with stainless steel setscrews. Shelf shall be seamless, 5/16" (8mm) square tubing. Manufacturer's service and parts manual shall be provided to the building owner/manager upon completion of project.

**Surface-Mounted Towel Shelf shall be Model \_\_\_\_\_ (insert model number) of Bobrick Washroom Equipment, Inc., Clifton Park, New York; Jackson, Tennessee; Los Angeles, California; Bobrick Washroom Equipment Company, Scarborough, Ontario; Bobrick Washroom Equipment Pty. Ltd., Australia; and Bobrick Washroom Equipment Limited, United Kingdom.**