

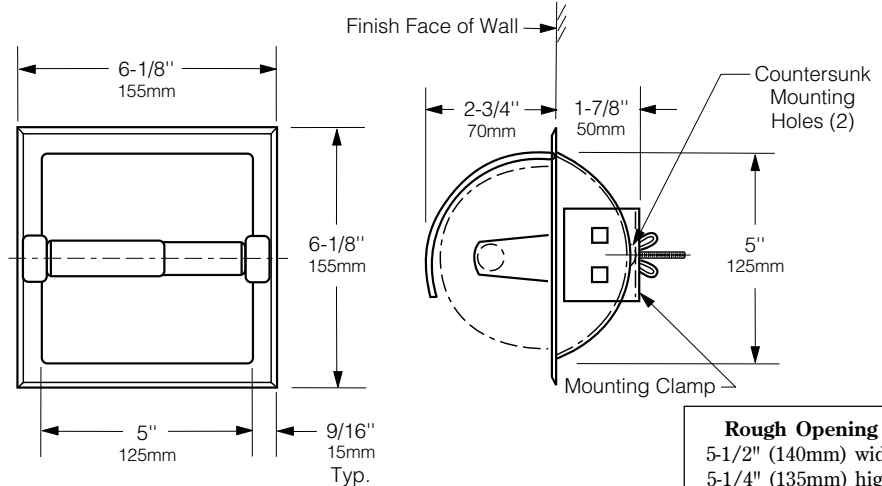


Technical Data

RECESSED TOILET TISSUE DISPENSER WITH HOOD (FOR STUD WALLS OR COUNTERTOP APRONS)

B-669 B-6697

Specify Model Required: Model B-669 Bright polished stainless steel
 Model B-6697 Satin-finish stainless steel



Rough Opening
 5-1/2" (140mm) wide
 5-1/4" (135mm) high
 3-3/8" (86mm) minimum recessed depth

MATERIALS:

Shell and Flange — 18-8 S, type-304, 22-gauge (0.8mm) stainless steel. Drawn and beveled, one-piece, seamless construction with two countersunk mounting holes.

Support Posts (2) — Heavy-duty cast zamac with chrome-plated finish.

Hood — 18-8 S, type-304, 18-gauge (1.2mm) stainless steel. Hood hinged to shell.

Mounting Bracket — Plated-steel mounting clamp attaches to back of unit with two sheet-metal screws for installation in stud walls or countertop aprons.

Spindle — Chrome-plated plastic. Equipped with heavy-duty internal spring.

Designer's Note: Theft-resistant toilet tissue spindle, which is removable only with special key provided, is available as an optional accessory. To specify, add suffix .60 to model number. Example: B-669.60.

INSTALLATION:

Provide framed rough opening 5-1/2" wide x 5-1/4" high (140 x 135mm). Minimum recessed depth required from finish face of wall or apron is 3-3/8" (86mm).

For installation in stud walls or countertop aprons without backing, loosely attach mounting clamp to back of unit with mounting screws. Insert into rough opening. Adjust mounting clamp so it grips surface inside rough opening. Secure in place by tightening two mounting screws.

For installation in stud walls or countertop aprons with backing, discard mounting clamp furnished with unit. Insert unit only into rough opening and secure with sheet-metal screws furnished. Backing must comply with local building codes.

SPECIFICATION:

Recessed toilet tissue dispenser shall be type-304 stainless steel with _____ (insert one: bright polished or satin) finish. Shell and flange shall be drawn and beveled, one-piece, seamless construction. Unit shall be equipped with 18-gauge (1.2mm) hood hinged to shell and furnished with plated-steel mounting clamp for installation in stud walls or countertop aprons. *Spindle shall be chrome-plated plastic with a heavy-duty internal spring. Manufacturer's service and parts manual shall be provided to the building owner/manager upon completion of project.

**To specify theft-resistant spindle as an optional accessory, add to specification:* Theft-resistant toilet tissue spindle shall be removable only with special key provided.

Recessed Toilet Tissue Dispenser With Hood shall be Model _____ (insert model number) of Bobrick Washroom Equipment, Inc. Clifton Park, New York; Jackson, Tennessee; Los Angeles, California; Bobrick Washroom Equipment of Canada Ltd., Scarborough, Ontario; Bobrick Washroom Equipment Pty. Ltd., Australia; and Bobrick Washroom Equipment Limited, United Kingdom.