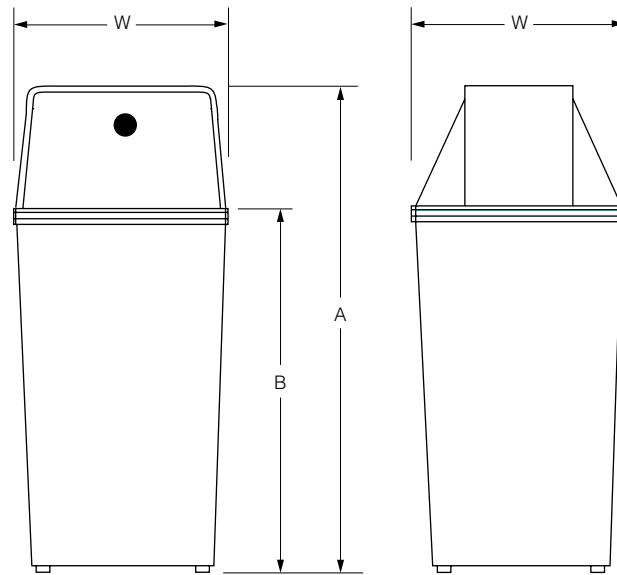




Technical Data

# STAINLESS STEEL WASTE RECEPTACLES

# B-2250



Model Number	Capacity	A	B	W	Optional Accessory
					Vinyl Liner Part No.
B-2250	13 gal. (49.2 L)	29-1/2" (750mm)	22" (560mm)	12-1/2" x 12-1/2" (320 x 320mm)	2250-3
B-2260	13 gal. (49.2 L)	Open-Top, No Cover	22" (560mm)	12-1/2" x 12-1/2" (320 x 320mm)	2250-3
B-2270	21 gal. (79.5 L)	37-1/2" (950mm)	30" (760mm)	14" x 14" (355 x 355mm)	2270-3
B-2280	21 gal. (79.5 L)	Open-Top, No Cover	30" (760mm)	14" x 14" (355 x 355mm)	2270-3
B-2290	36 gal. (136.3 L)	37-1/2" (950mm)	30" (760mm)	18" x 18" (455 x 455mm)	2290-3

### MATERIALS:

**Waste Receptacle** — 22-gauge (0.8mm) stainless steel with satin finish. Equipped with vinyl bumper strip and rubber feet. Hooks are provided to attach optional, removable liner (not provided) to upper interior corners.

**Cover** — 22-gauge (0.8mm) stainless steel with satin finish. Two spring-loaded, self-closing doors, which have an international graphic symbol to identify waste disposal, are secured with full-length, stainless steel piano-hinges.

### OPERATION:

Entire cover is removable for easy servicing of receptacle. Vinyl bumper strip and rubber feet on waste receptacle protect wall and floor surfaces.

*Designer's Note:* Vinyl liners for waste receptacle are available from Bobrick as an accessory. Check the chart above for correct liner part number to order.

### SPECIFICATION:

Waste receptacle shall be 22-gauge (0.8mm) stainless steel. Exposed surfaces shall have satin finish. Waste receptacle shall be equipped with vinyl bumper strip and rubber feet. Capacity shall be \_\_\_\_\_ (insert capacity). Manufacturer's service and parts manual shall be provided to the building owner/manager upon completion of project.

Waste Receptacle shall be Model \_\_\_\_\_ (insert model number) of Bobrick Washroom Equipment, Inc. Clifton Park, New York; Jackson, Tennessee; Los Angeles, California; Bobrick Washroom Equipment Company, Scarborough, Ontario; Bobrick Washroom Equipment Pty. Ltd., Australia; and Bobrick Washroom Equipment Limited, United Kingdom.