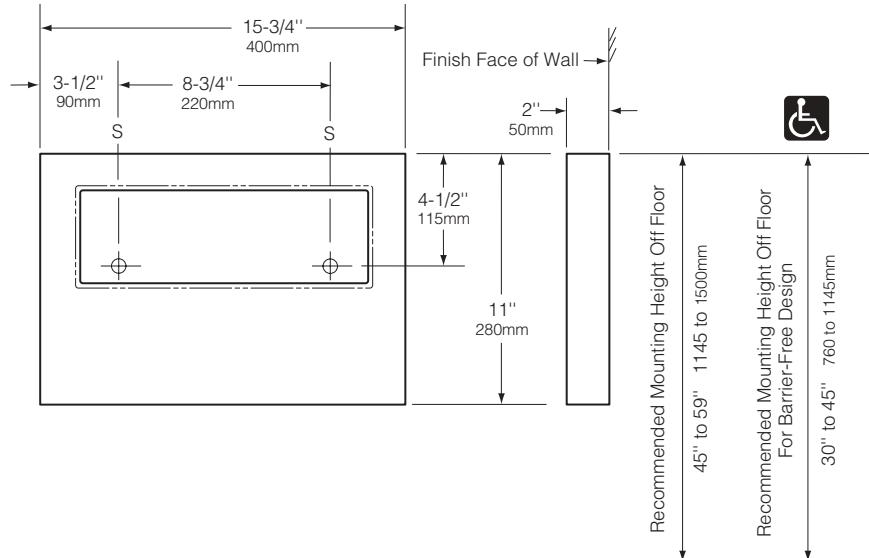




Technical Data

SURFACE-MOUNTED TOILET-SEAT-COVER DISPENSER

B-221



MATERIALS:

18-8 S, type-304, 22-gauge (0.8mm) stainless steel with satin finish. All-welded construction with beveled opening.

OPERATION:

Dispenses single- or half-fold paper toilet seat covers from beveled opening. Dispenser fills from bottom through concealed opening. Capacity: 250 toilet seat covers.

INSTALLATION:

Mount unit on wall or toilet partition with two flat-head screws, not furnished by manufacturer, at points indicated by an *S*. For plaster or dry wall construction, provide concealed backing that complies with local building codes, then secure unit with flat-head screws furnished. For other wall surfaces, provide fiber plugs or expansion shields for use with screws furnished, or provide 1/8" (3mm) toggle bolts or expansion bolts.

Note: Provide a 2" (51mm) minimum clearance from bottom of dispenser to top of any horizontal projection to provide room for filling dispenser from bottom.

SPECIFICATION:

Surface-mounted toilet-seat-cover dispenser shall be type-304, 22-gauge (0.8mm) stainless steel with all-welded construction; exposed surfaces shall have satin finish. Dispenser shall have a concealed opening in bottom for filling. Capacity shall be 250 paper toilet seat covers. Manufacturer's service and parts manual shall be provided to the building owner/manager upon completion of project.

Surface-Mounted Toilet-Seat-Cover Dispenser shall be Model B-221 of Bobrick Washroom Equipment, Inc., Clifton Park, New York; Jackson, Tennessee; Los Angeles, California; Bobrick Washroom Equipment Company, Scarborough, Ontario; Bobrick Washroom Equipment Pty. Ltd., Australia; and Bobrick Washroom Equipment Limited, United Kingdom.