

**RECTANGULAR WASTE RECEPTACLE
STEEL WHITE EPOXY**

Code: PP0279

General description

- Waste receptacle, 25 L of capacity, steel white epoxy coated
- Suitable for lavatories and in-doors public areas with medium traffic.
- Model suitable for public use.
- When set in a lavatory, it generally goes along with a paper tissue dispenser and complemented by a warm air hand dryer.

Components & Materials

- Steel white epoxy coated body, 1 mm thick. One-piece manufactured, fully sealed. Capacity 25 L. For standing on the floor or wall mounting by means of 4 slot holes drilled on the back of the appliance.

Technical Specifications

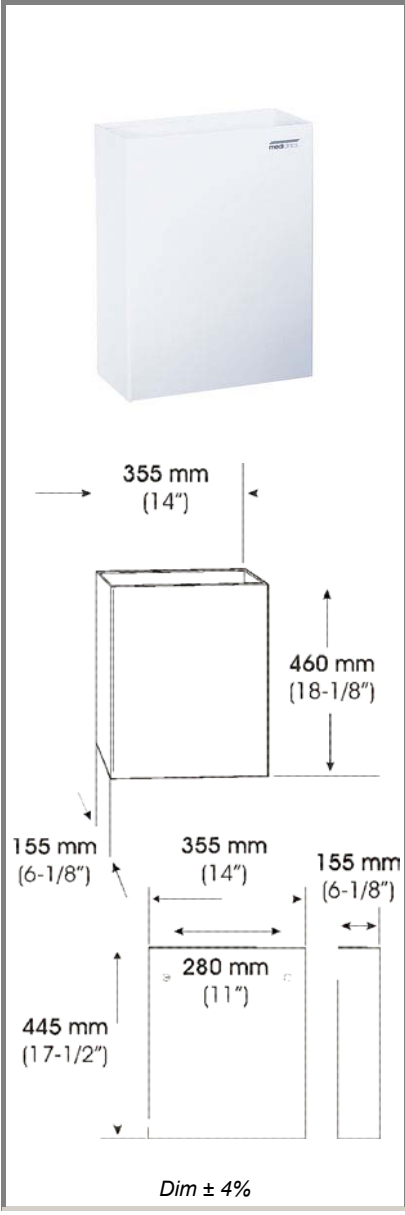
Dimensions	460 x 355 x 155 mm	Capacity	25 L
Weight (empty)	3,2 Kg		

Operation

Place the waste straight into the waste receptacle.

Certificates & Qualifications

ISO 9001:2000.



Specification

25 L waste receptacle should be made of steel white epoxy coated, 1 mm thick. The body should be one-piece manufactured, fully sealed. The waste receptacle should be suitable for standing on the floor or wall mounting by means of the 4 slot holes drilled on the back of the appliance.

25 L waste receptacle shall be model PP0279, steel white epoxy coated, manufactured by Mediclinics S.A., C/ Industria 54, E- 08025 Barcelona, Spain.

Mediclinics, S.A., reserves the right to make changes and/or modifications to the products and their specifications without warning or notice.

Revision 04-2004

© mediclinics S.A.

