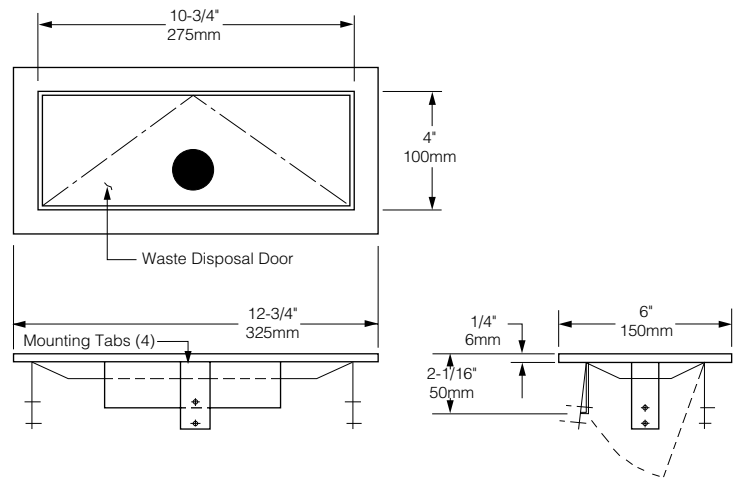




Technical Data

# WASTE-DISPOSAL DOOR FOR MOUNTING IN COUNTERTOPS

# B-527



Rough Countertop Cutout	
11-1/4"	(285mm) wide
4-1/2"	(115mm) high
3/4" to 1-1/2"	(19 to 38mm) mounting thickness
4-1/2"	(115mm) minimum clearance below mounting surface

### MATERIALS:

**Flange** — 18-8 S, type-304, 22-gauge (0.8mm) stainless steel. 1/4" (6mm) 90° return for maximum rigidity.

**Waste-Disposal Door** — 18-8 S, type-304, 22-gauge (0.8mm) stainless steel. All-welded construction. Self-closing door is equipped with a spring-loaded, full-length stainless steel piano-hinge. International graphic symbol identifies unit.

### OPERATION:

Self-closing door allows convenient disposal of paper towels and waste from the top by pushing downward through the hinged opening, then shuts tightly after use.

*Designer's Notes:* Waste receptacle is not included with unit, but is available as an optional accessory—order Bobrick Part No. 1066-8 Waste Receptacle, 13-1/2" wide x 14-1/2" high x 9-1/2" deep (345 x 370 x 240mm). Housing below countertop to conceal waste receptacle is not included with the unit—must be furnished by others. Waste-disposal door may be mounted in vertical surfaces of countertop also, including aprons, skirts, or front of cabinets.

### INSTALLATION:

Unit is designed for installation in countertop. 4-1/2" (114mm) minimum clearance below mounting surface is required. Mount unit through a cutout specially ordered from countertop manufacturer or field cut. Dimensions of cutout are to be 11-1/4" wide x 4-1/2" high (285 x 115mm). Adjustable mounting tabs accommodate mounting thicknesses from 3/4" to 1-1/2" (19 to 38mm). For complete installation instructions, see Form No. 527-69, packed with each shipment; also available in advance on request.

### SPECIFICATION:

Waste-disposal door for mounting in countertops shall be type-304 stainless steel with all-welded construction; exposed surfaces shall have satin finish. Flange shall have 1/4" (6mm) 90° return. Self-closing door shall be equipped with a spring-loaded, full-length stainless steel piano-hinge and an international graphic symbol. Manufacturer's service and parts manual shall be provided to the building owner/manager upon completion of project.

**Countertop-Mounted Waste-Disposal Door shall be Model B-527 of Bobrick Washroom Equipment, Inc., Clifton Park, New York; Jackson, Tennessee; Los Angeles, California; Bobrick Washroom Equipment Company, Scarborough, Ontario; Bobrick Washroom Equipment Pty. Ltd., Australia; and Bobrick Washroom Equipment Limited, United Kingdom.**